

Minuteman[®]

MPV[®] 12

C12115-00

MPV[®] 12 DUST CUP

C12115-01

MPV[®] 12 (230V)

C12230-00

OPERATING INSTRUCTIONS

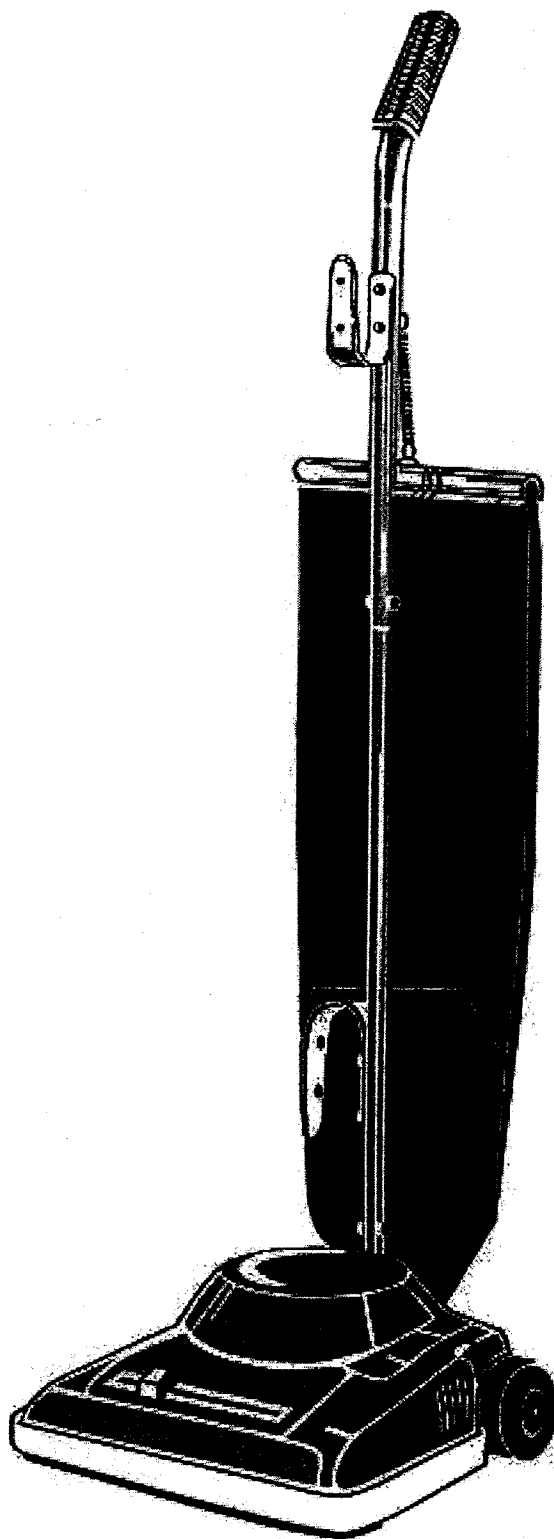
- **COMMERCIAL AND HOUSEHOLD UPRIGHT VACUUM CLEANERS**

862 watts

CONGRATULATIONS

YOU HAVE JUST ACQUIRED A VACUUM CLEANER. PLEASE READ THIS MANUAL CAREFULLY, BEFORE OPERATING YOUR NEW VACUUM CLEANER. KEEP MANUAL ON HAND FOR FURTHER REFERENCES.

<i>Models</i>	<i>Electrical Rating</i>
MPV [®] 12	7,5 A 115V-
MPV [®] 12 DUST CUP	7,5 A 115V-
MPV [®] 12	4,0 A 230V-



IMPORTANT SAFETY INSTRUCTIONS

- * WHEN USING AN ELECTRICAL UPRIGHT VACUUM CLEANER, BASIC PRECAUTIONS SHOULD BE FOLLOWED, INCLUDING THE FOLLOWING:
- * READ ALL INSTRUCTIONS BEFORE USING VACUUM CLEANER.

SAVE THESE INSTRUCTIONS FOR FUTURE REFERENCE

WARNING

To reduce risk of fire, electric shock, or injury:

- Do not use outdoors or on wet surfaces.
- Do not leave vacuum cleaner unattended when plugged in. Turn off the switch and unplug the electrical cord when not in use and before servicing.
- Do not allow to be used as a toy. Close attention is necessary when used by or near children.
- Use only as described in this manual. Use only manufacturer's recommended attachments.
- Do not use with damaged cord or plug. If vacuum cleaner is not working as it should, has been dropped, damaged, left outdoors, or dropped into water, return it to a service center before using.
- Do not pull or carry by cord, use cord as a handle, close a door on cord, or pull a cord around sharp edges or corners.
- Do not run vacuum cleaner over cord. Keep cord away from heated surfaces.
- Do not use extension cords or outlets with inadequate current carrying capacity.
- Turn off all controls before unplugging.
- Do not handle plug or vacuum cleaner with wet hands.
- Do not put any objects into openings. Do not use with any opening blocked, keep free of dust, lint, hair, and anything that may reduce airflow.
- This vacuum cleaner creates suction and contains a revolving brush roll. Keep hair, loose clothing, fingers, and all parts of body away from openings and moving parts.
- Do not pick up anything that is burning or smoking, such as cigarettes, matches or hot ashes.
- Do not use without dust bag in place.
- Use extra care when cleaning on stairs.
- Do not use to pick up flammable or combustible liquids such as gasoline, or use in areas where they may be present.
- Store your cleaner indoors in a cool, dry area.
- Do not unplug by pulling on cord. To unplug, grasp the plug, NOT THE CORD.
- If the feeding wire (flex) gets damaged, it must be replaced by the manufacturer or by your service agent or by other qualified personnel, in order to avoid any risks.

MODELS GROUNDED, CONNECT TO A PROPERLY GROUNDED OUTLET ONLY.
SEE GROUNDING INSTRUCTIONS.

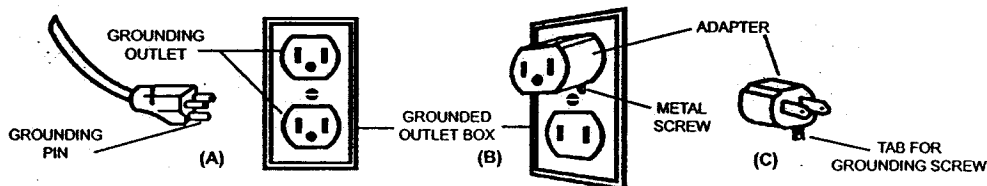
GROUNDING INSTRUCTIONS

This appliance must be grounded. If it should malfunction or breakdown, grounding provides a path of least resistance for electric current to reduce the risk of shock. This appliance is equipped with a cord having an equipment-grounding conductor and grounding plug. The plug must be inserted into an appropriate outlet that is properly installed and grounded in accordance with all local codes and ordinances.

WARNING - Improper connection of the equipment-grounding conductor can result in a risk of electric shock. If you are in doubt as to whether the outlet is properly grounded check with a qualified electrician or service person. Do not modify the plug provided with the appliance - if it does not fit the outlet, have a proper outlet installed by a qualified electrician.

This appliance is for use on a nominal 120 volt circuit, and has a grounded plug that looks like the plug illustrated in sketch A. A temporary adaptor that looks like the adaptor illustrated in sketches B and C may be used to connect this plug to a 2-pole receptacle as shown in sketch B if a properly grounded outlet is not available. The temporary adaptor should be used only until a properly grounded outlet (sketch A) can be installed by a qualified electrician. The green color rigid ear, lug, or the like extending from the adaptor must be connected to a permanent ground such as a properly grounded outlet box cover.

NOTE: In Canada, the use of a temporary adaptor is not permitted by the Canadian Electrical Code.



GENERAL DIAGRAM

DUMP BAG MODEL

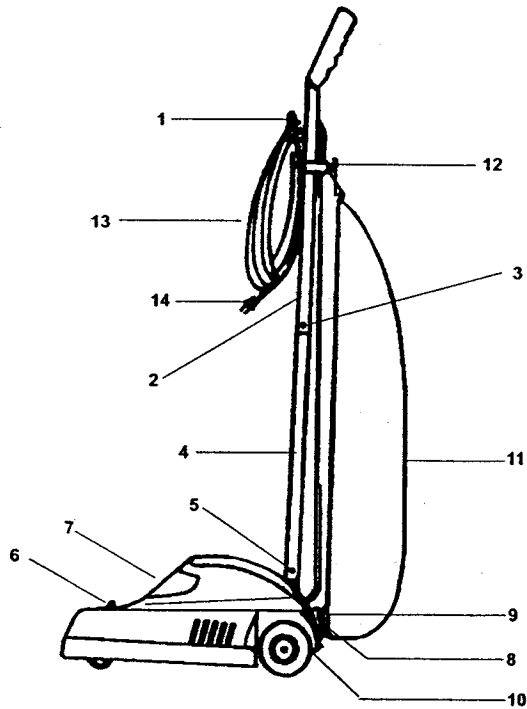


FIG. 1

DUST CUP MODEL

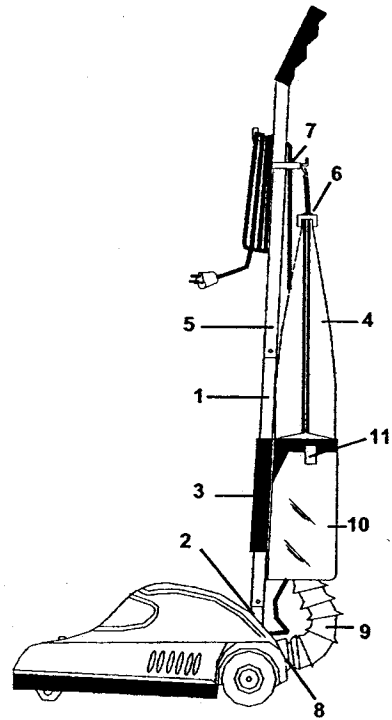


FIG. 2

ENGLISH

PARTS LIST

1. Cord hook
2. Upper handle tube
3. Nut & bolt
4. Lower handle tube
5. Nut & bolt
6. Height adjustment
7. Headlight
8. Air outlet
9. Bag support
10. Handle release pedal
11. Bag
12. Spring bag hook
13. 50 Ft. line cord
14. 3 wire grounded plug

1. Lower handle
2. Socket
3. Dust cup support
4. Bag cloth
5. Upper handle
6. Spring
7. Spring bag hook
8. Lower dust cup support
9. Duct hose
10. Dust cup
11. Latches

HOW TO ASSEMBLE

Step 1:

Handle tube assembly (fig 3)

- Insert lower handle tube (4) into socket (5) align the holes and insert the screw (2) and the bolt (3) and tighten.
- Place upper handle tube (1) over lower tube (4) align the holes and tighten with screw (2) and Bolt (3)

Step 2:

Line cord assembly

Secure line cord on restraint (6), which is on the upper handle tube

Step 3:

Bag assembly

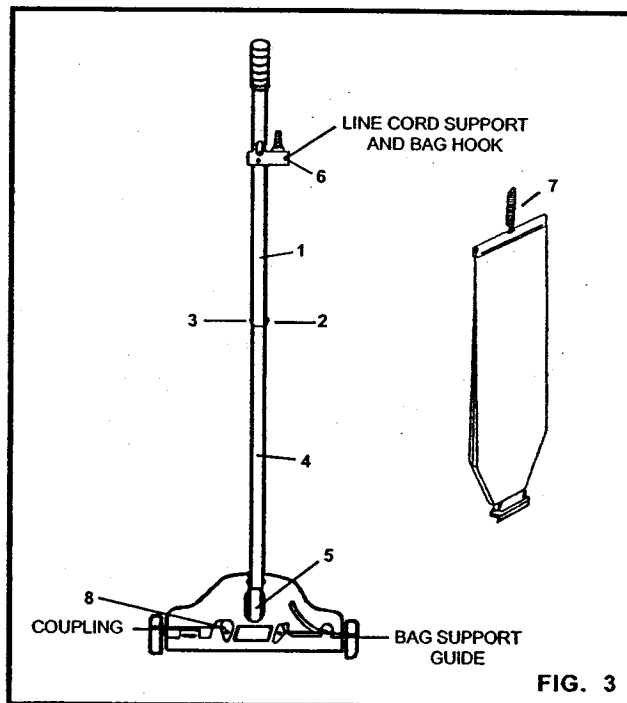
Secure bag spring (7) to hook (6), insert bag coupling at the upright exhaust making sure that it is correctly placed and the lock (8) correctly secures the bag.

ONLY FOR DUST CUP MODELS

CAUTION: Fully assemble the unit before using.

Hardware package: The package contains two screws and two nuts.

- Step 1:** Assemble lower handle (1). Attach lower handle (1) over socket (2), align holes and fasten with the screw and the nut provided in hardware package.
- Step 2:** Insert the Dust Cup Support (3) through the tube into the lower handle (1) and take care that the bag cloth (4) remains in upper position.
- Step 3:** Place upper handle (5) over lower handle (1) align holes and fasten with the screw and the nut provided in the hardware package.
- Step 4:** Hook the spring (6) on the spring bag hook (7).
- Step 5:** Slide lower Dust Cup Support (8) into slots of support guide, pressing right. Push the support (8) towards outlet and turn knob clockwise.



EMPTYING DUST CUP:

Frequently check the dirt level in the Dust Cup (10) emptying Dust Cup before it becomes full.

HOW TO TAKE OFF THE DUST CUP:

Place handle in upright position and unhook spring (6), shake bag (4) to release dirt accumulated in bag. Rehook spring (6) Release the two latches (11) by pulling them outward. Remove Cup and empty it. Reposition Cup into support and snap latches into position.

NOTE: When empty, the Cup can be cleaned with a damp cloth or rinsed with water. Be sure Cup is dry before reusing.

HOW TO USE

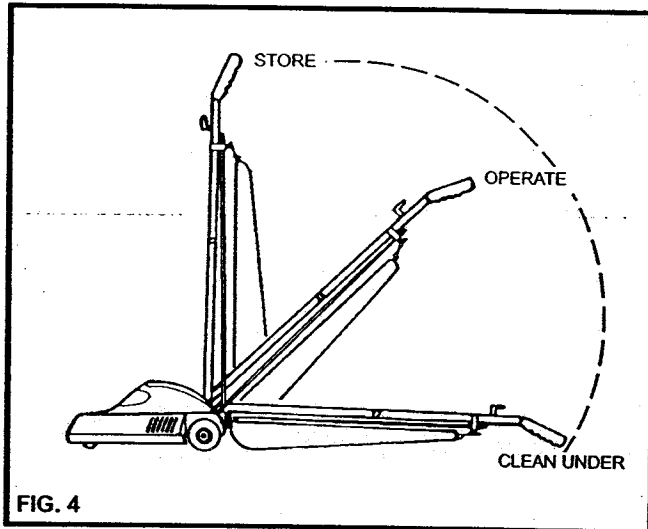
Release handle by stepping on pedal and lowering handle until motor starts. To lower the handle further, step on pedal again and lower handle as much as necessary (fig 4).

Use short back and forth strokes to cover small areas at one time.

To switch off raise handle to vertical position

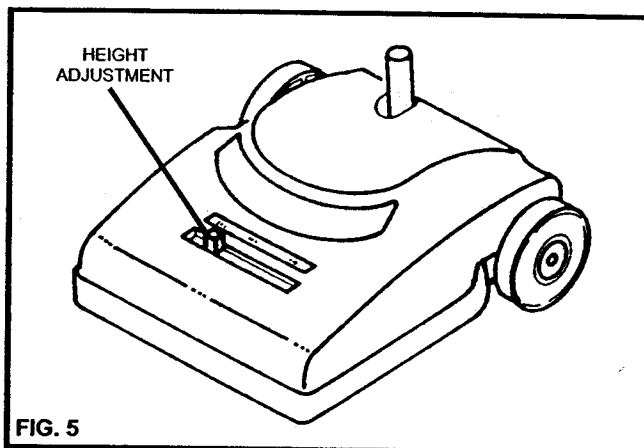
The necessary time to properly clean a carpet depends on the carpet thickness and the amount of soil.

To store your upright, roll the cable trying not to twist it and then, either hang it from the upper hanger of the handle tube (if so equipped), or roll it over both hangers of the handle tube and fasten it with the clip integrated to the plug.



HEIGHT ADJUSTMENT

The upright has an infinitely variable height adjustment that raises or lowers the front of the unit. This will allow for better contact with the carpet as needed. On short or industrial carpet the adjustment knob should be placed to the left, on shag or heavier rugs the knob should be placed to the right. To displace knob, pull handle tube backwards until the front is off the ground.



HOW TO CLEAN PERMANENT BAG

Unplug upright before emptying permanent bag

- 1.- Release spring, turn knob to liberate coupling and remove bag assembly
- 2.- Pull bag clip sideways to release bag, open bag, place in garbage bag and empty by shaking the bag.
- 3.- Replace clip making sure the bag is closed correctly,
- 4.- Clean exhaust every time bag is emptied
- 5.- Place bag in operating position making sure it is correctly secured.

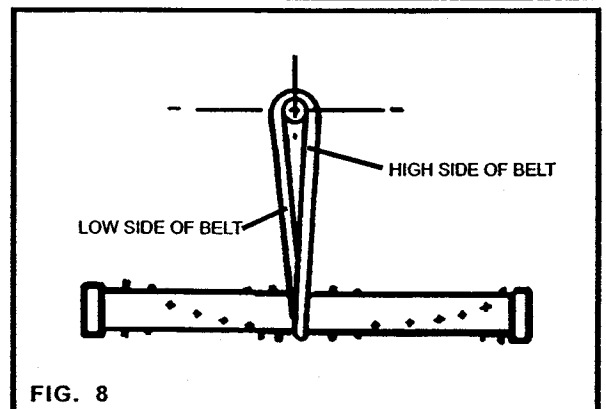
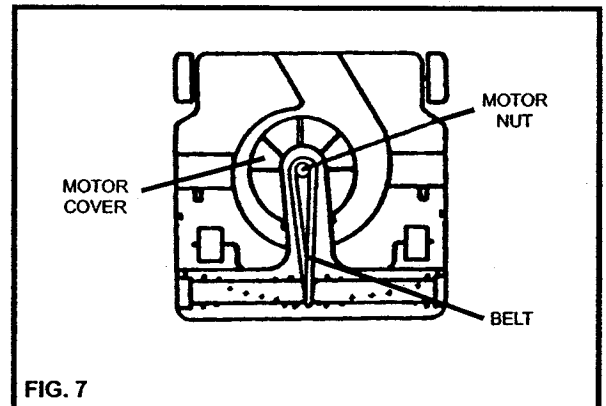
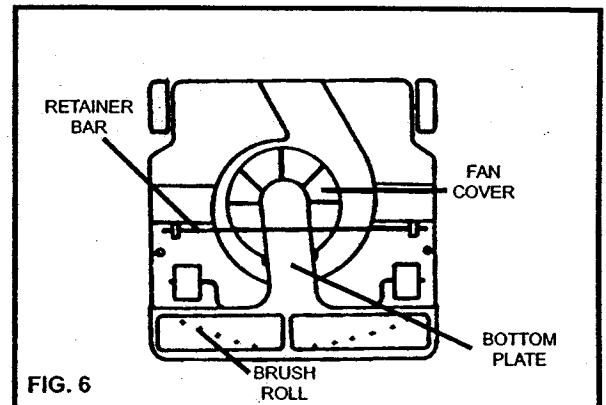
ENGLISH

HOW TO REPLACE BRUSH ROLL BELT

Unplug upright before replacing belt. Belt may be hot if recently used

Warning improper installation of belt or brush roll may damage upright.

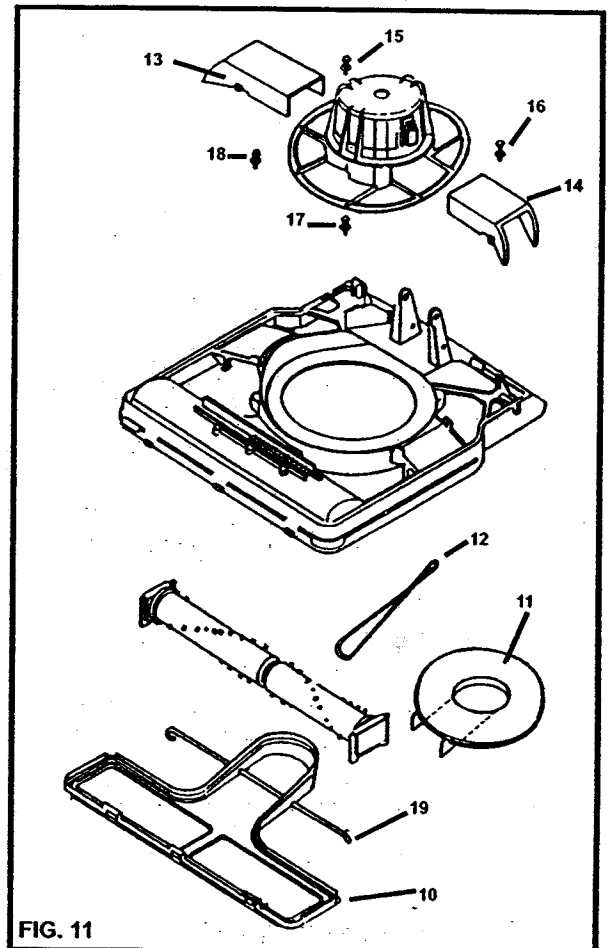
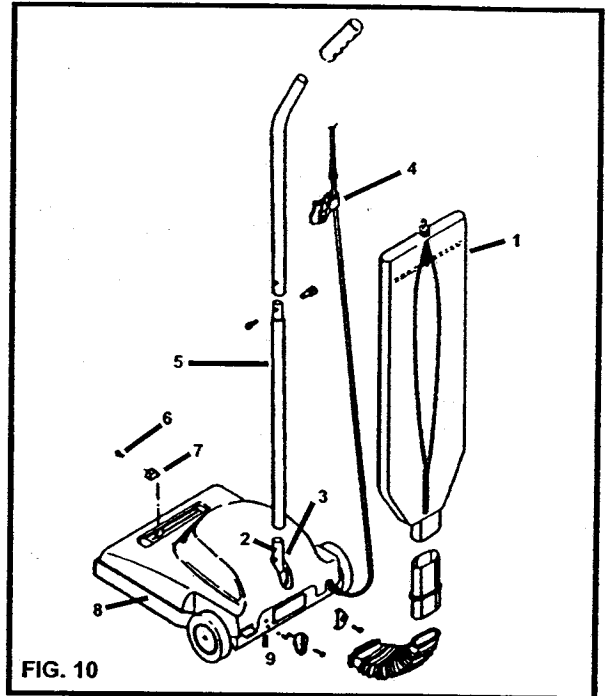
- 1.- Release handle by depressing foot pedal, lower handle tube and turn upright over (fig 6).
- 2.- Remove bar by pressing on side until it is released.
- 3.- Take belt off fan nut, pull brush roll out, remove and replace belt.
- 4.- Replace brush roll making sure both bearing supports face upwards (top)
- 5.- Replace belt on nut making sure the belt is twisted to the right as shown on chassis diagram.
- 6.- If you need to change the belt, it is convenient that you clean the roller and the ventilator turbine as well. It is common that the roller accumulates threads in the ball bearing holders. Take the ball bearing holders out by pulling them outward and then clean the ball bearings. To set them back, put them in the same place and press inward on both sides until they reach their original position. Clean the fan by removing the dirt, and then reinstall the following components as described: lid, fan, and belt.

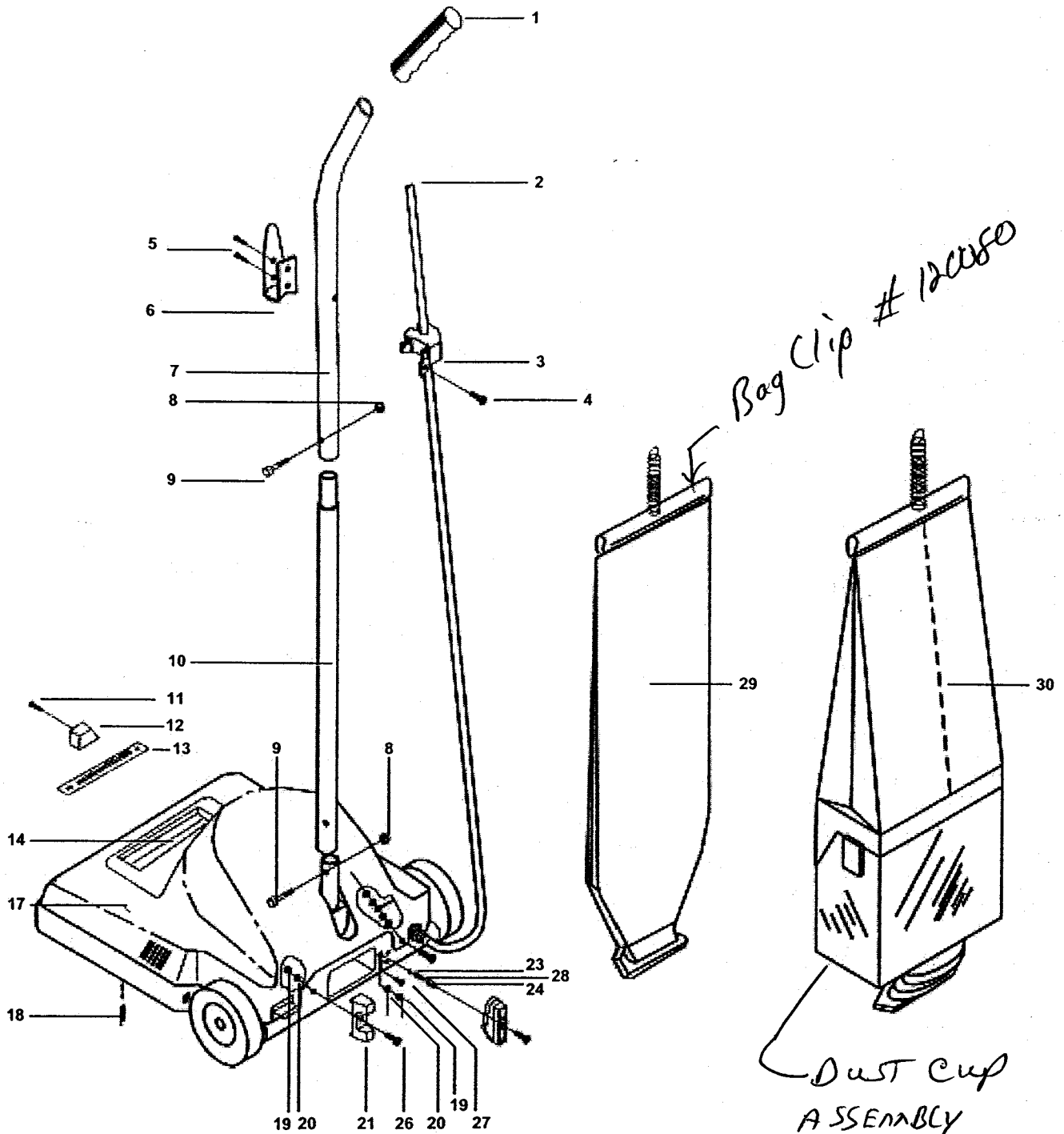


HOW TO REPLACE MOTOR

Important: unplug upright before replacing motor.

- 1.- Remove bag (1)
- 2.- Remove nut & bolt from handle tube (2,3)
- 3.- Press on pedal (9) lower handle to horizontal position.
- 4.- Remove handle tube (5)
- 5.- Remove screw on height adjustment knob (6)
- 6.- Remove height adjustment knob (7) (fig 10)
- 7.- Turn upright over,
- 8.- With pliers remove springs from chassis (8)
- 9.- Remove restraint bar (19)
- 10.- Remove bottom cover (10)
- 11.- Remove fan cover (11)
- 12.- Remove belt (12)
- 13.- Hold upright cover, turn over and remove cover.
- 14.- Remove cooling tunnels (13, 14)
- 15.- Remove motor screws (15,16,17,18)
- 16.- Unplug lead from switch
- 17.- Unplug line cord turning strain relief, separating the leads.
- 18.- Remove motor (fig 11)
- 19.- Install new motor and rebuild upright in reverse order.
- 20.- In case your upright requires a major service, such as a change of motor, you should go to an authorized service center .

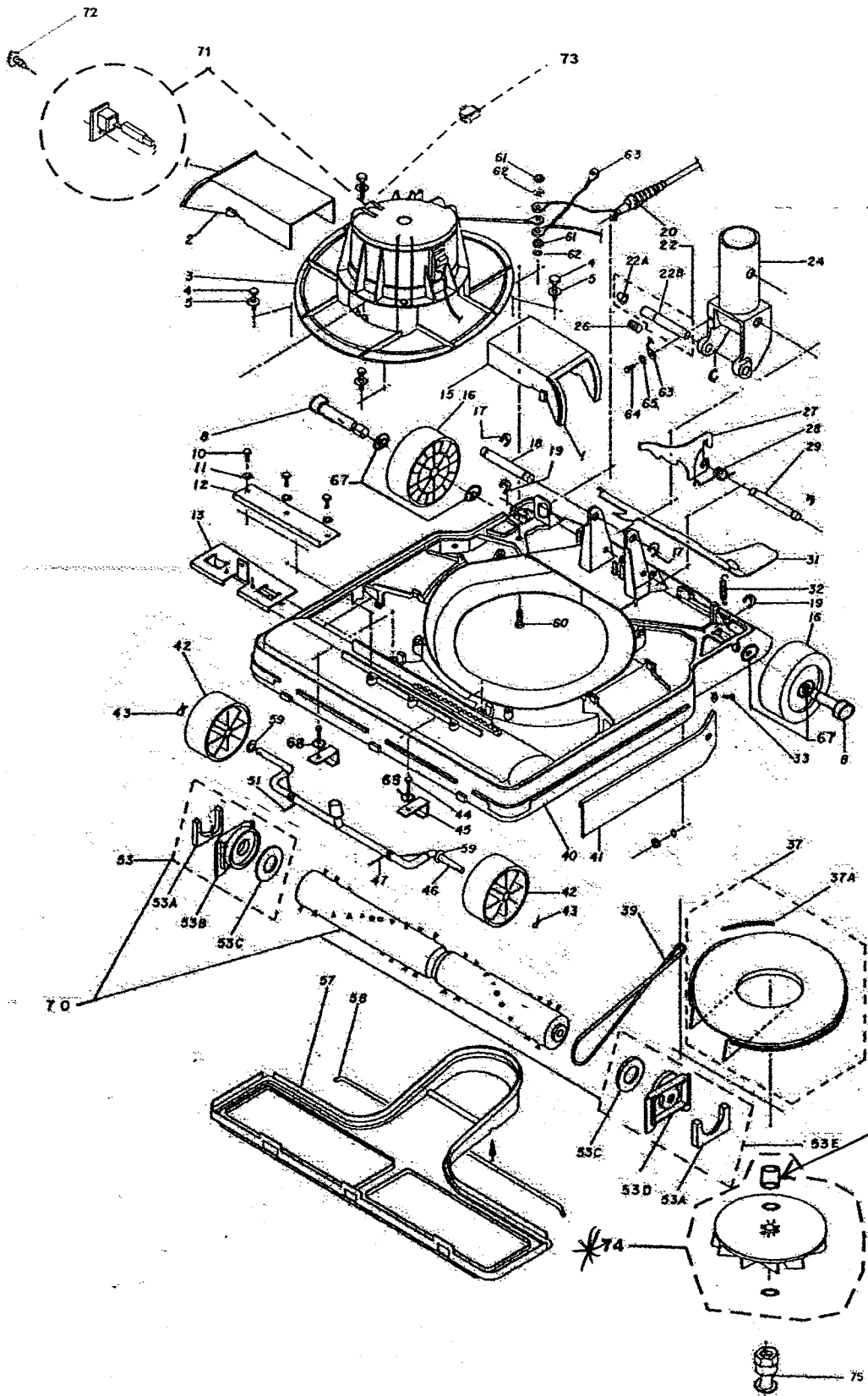




EXTERNAL PARTS

ENGLISH

ITEM	DESCRIPTION	MMAN P.N.
1	Handle grip	120040
2	Line cord assy	120079
2	Line cord assy European plug	120094
3	Cord retainer	120047
4	Screw 8 x 1/2	120003
5	Screw	120004
6	Cord hook-charcoal-Minuteman	120025
7	Upper handle charcoal-Minuteman	120023
8	Upright handle nut	120012
9	Screw-10-32 x 1 3/8	120010
10	Lower handle charcoal-Minuteman	120024
11	Screw	120002
12	Wheel height adjustment knob	120044
13	Height adjustment label	120085
14	Felt washer	120063
17	Cover burgundy-Minuteman	120026
18	Hood spring	120056
19	Hex nut 10-32 x 1/2	120011
20	Star washer 10 x .204	120017
21	Upright bag retainer	120049
22	hex screw-10-32x5/8	120005
23	Ball arm shaft	120062
24	Bag knob spacer	120046
25	Upright bag knob	120048
26	Screw 10-32 x 1/4	120006
27	Self-tapping screw #6 x 5/16	120001
28	Knob spring	120052
29	Cloth dump bag assy plain	120069
30	Dust cup bag assy	120092



120090 - METAL
Remove to use
metal fan

INTERNAL PARTS

ENGLISH

ITEM	DESCRIPTION	MMAN P.N.
1	Air duct gasket	120034
2	Right air duct	120042
3	7.5 amp motor assembly (115V)	120070
3	Motor assy (230V)	120093
4	Hex screw 8-32 x 1/2	120008
5	Washer .200 x 0624	120015
8	Wheel hub	120061
10	Hex screw 6-32 x 3/8	120007
11	Washer .203 x 1/2	120013
12	Cam plate	120022
13	Cam assembly	120065
15	Left tunnel	120043
16	Upright rear wheel	120041
17	Lock washer 3/16	120016
18	Socket pin	120060
19	Lock washer	120018
20	Heyco grommet	120036
22	Switch actuator assy	120045
22A	Switch actuator tip	120045
22B	Switch bolt	120058
24	Socket	120027
26	Spring	120055
27	Handle cam	120020
28	Handle cam spring	120054
29	Cam bolt	120059
31	Handle release	120051

ITEM	DESCRIPTION	MMAN P.N.
32	Clutch spring	120053
33	Screw 10-32 x 1/2	120009
37A	Motor base seal	120035
37	Fan cover assy	120067
39	Upright poly belt	120038
40	12" upright chassis (new)	120028
41	Upright molding	120037
42	Front wheel	120071
43	Cotter pin	120077
45	Front axle support	120021
46	Front axle assy	120064
47	Front axle spring left	120075
51	Front axle spring right	120076
53	Bearing support assy right	120083
53E	Bearing support assy left	120086
57	Bottom plate retainer	120066
58	Bottom plate retainer	120057
59	Washer 0.316X.627	120087
67	Rear wheel hub assy washer	120019
68	Washer 5/16	120014
70	Brush roll assembly w/end caps	120068
71	Brush assy	120082
72	Hex. screw 8-32X3/8	120088
73	Upright switch	120033
* 74	Kit fan <i>plastic</i>	120073
75	Pulley nut	120089

* METAL FAN - 120090
See notes *

WARRANTY

This warranty gives you specific legal rights and you may also have other rights which vary from state to state. The commercial upright vacuum cleaner is warranted to be free from all defects in materials and workmanship in normal commercial use for a period of one year. The metal chassis is warranted for a total of 5 years and the fan, switch and metal yoke are warranted for a total of 2 years.

This warranty is granted only to the original purchaser of the cleaner that uses the product. The warranty does not cover parts that wear under normal use such as belt, brush rolls, light bulbs, cloth and paper bags and bumpers.

For repair, the inoperative machine must be delivered with shipping and delivery charges prepaid, together with satisfactory evidence of the purchase date to the addresses shown below or to an authorized Service Station.

The foregoing obligations are in lieu of all other obligations and liabilities including negligence and state Minuteman's entire and exclusive liability and purchaser's exclusive remedy. Minuteman will in no event be liable for any direct, indirect, special, incidental or consequential damages or losses whatsoever and Minuteman's liability under no circumstances will exceed the contract price for the goods or parts for which liability is claimed.

Some states do not allow the exclusion or limitation of incidental or consequential damages, so the above limitation or exclusion may not apply to you.

Any implied warranty of merchantability or fitness for a particular purpose on this product is limited in duration to the duration of the warranty. Some states do not allow limitations on how long an implied warranty lasts, so the above limitation may not apply to you.

Minuteman[®]

World Headquarters
Minuteman International, Inc.
111 South Rohlwing Road
Addison, Illinois 60101

www.minutemanintl.com

(630) 627-6900
Fax (630) 627-1130

Minuteman Canada, Inc.
2210 Drew Road
Mississauga, Ontario
L5S 1B1

(905) 673-3222
Fax (905) 673-5161